

TECHNICAL DATA SHEET

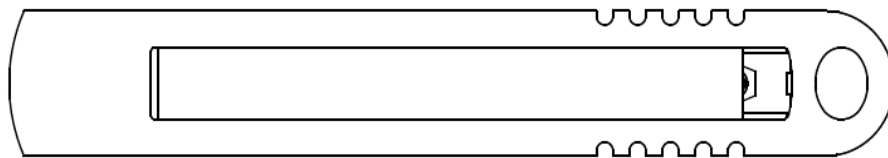
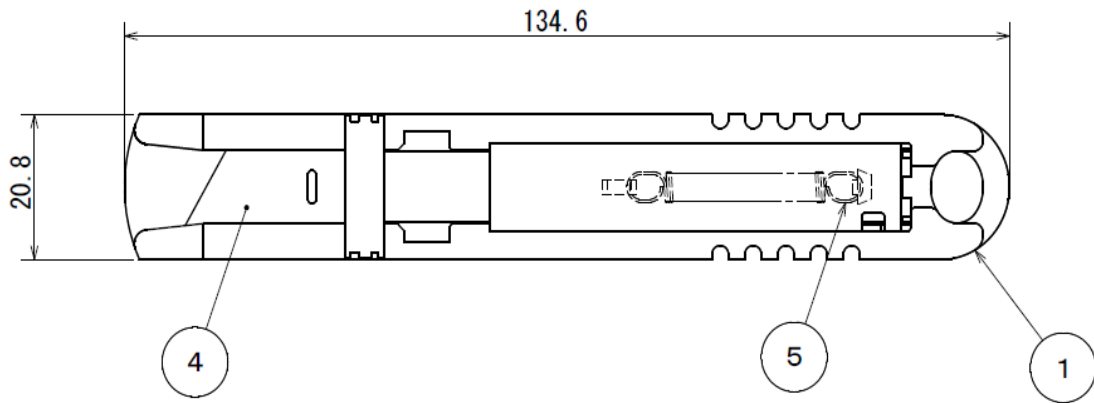


OLFA CORPORATION
 Higashi-Nakamoto 2-11-8,
 Higashinari-Ku, Osaka 537-0021, JAPAN
 TEL: 06-6972-8106 FAX: 06-6972-8119

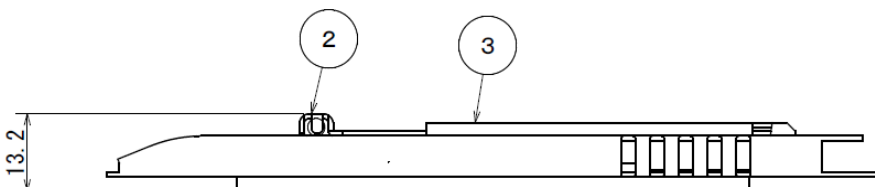
● Specifications

Model name	SK-12		
Measurements	Length: 134.60 mm x	Width: 20.80 mm x	Thickness 13.20 mm
(Inch conversion)	Length: 5.30 " x	Width: 0.82 " x	Thickness: 0.52 "
Weight	52 grams (g)		
(Pound conversion)	0.115 pounds (lb)		
Component parts and raw materials	① Body frame	:	Stainless steel (JIS: SUS430) (Thickness: 0.8mm)
	② Slider	:	Stainless steel (JIS: SUS430) (Thickness: 0.8mm)
	③ Upper cover frame	:	Stainless steel (JIS: SUS430) (Thickness: 0.8mm)
	④ Trapezoidal blade	:	High carbon stainless steel (13Cr.) (JIS: SUS420) (Thickness: 0.6mm)
	⑤ Spring for slider	:	Stainless steel (JIS: SUS329) (Φ: 0.4mm)
Remarks	Applicable blades	:	SKB-2S, SKB-2S-R

Body



<Side view>

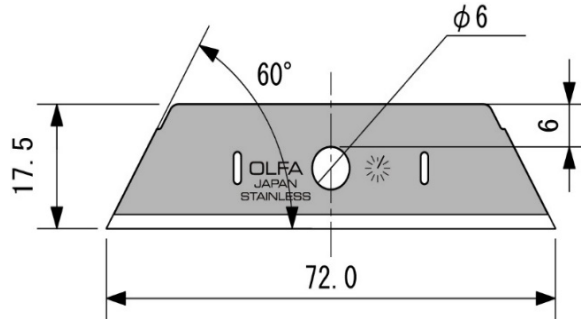


TECHNICAL DATA SHEET



OLFA CORPORATION
 Higashi-Nakamoto 2-11-8,
 Higashinari-Ku, Osaka 537-0021, JAPAN
 TEL: 06-6972-8106 FAX: 06-6972-8119

Blade <Assembled with SKB-2S Blade>



Remarks

OLFA trapezoidal blades without side holes; models SKB-2, RSKB-2 and HOB-2 do not fit OLFA SK-12.

Package

Component parts and raw materials	① Blister card	:	Paper
	② Film	:	Polyethylene terephthalate(PET) resin

- The content is based on the information as of the date indicated on the document, but may be subject to change without prior notice.
- The dimensions are nominal sizes without tolerances.
- This technical data sheet is valid until further notice.
- Copy or reproduction in any form without OLFA's written consent is prohibited.

Date of Issue: 05 January 2023
 Created and Approved by
 OLFA CORPORATION, PDG, Tech. Control